

L25 Series

RoHS Directive Products

Point-of-Use Pressure Regulator

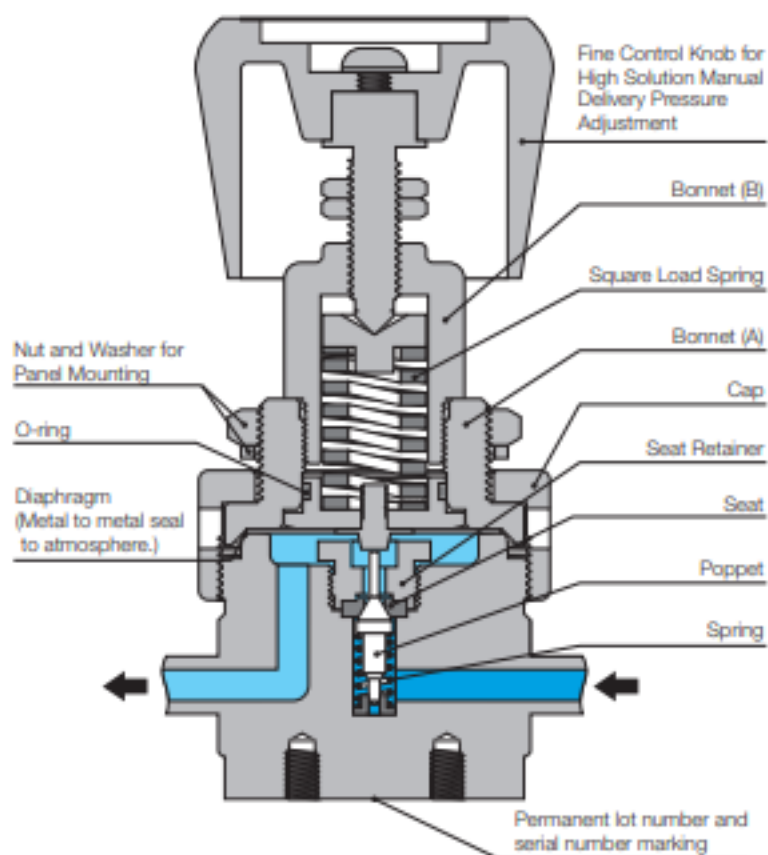
Inlet Pressure	Max.6 MPaG (Max.870 PSIG)
Outlet Pressure	Max.0.99 MPaG (Max.144 PSIG) (Pressure Range: 0~0.2 MPa, 0~0.4 MPa, 0~0.6 MPa, 0~0.99 MPa)
Supply Pressure Effect	0.0008 MPaG (0.12 PSIG) per 0.1 MPaG (14.5 PSIG)
Proof Pressure	22.2 MPa (3,215 PSI)
CV	0.15
Temperature	-10°C to +40°C
Outboard Leakage	1×10^{-11} Pa · m ³ /sec · He (1×10^{-10} atm · cc/sec · He)
Internal Volume	4.67 cc (0.28 in ³) w/o fittings
Approximate weight	0.96 kg (2 lbs. 2 oz.)
Installation	Threaded holes on the rear surface or Panel mounting

[NOTE]

1MPa = 10.2 kg/cm² = 145.04 PSI
1MPa = 7504.36 mmHg = 295.4 inHg



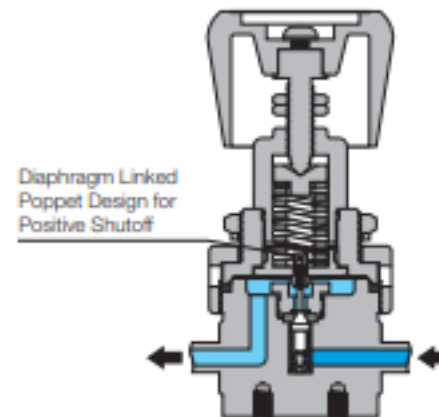
Cross sectional drawing



[NOTE]

- Avoid turning the control knob excessively.
- For purging at 870 PSIG (6 MPaG) and higher, operate the unit in consideration of changing the outlet pressure by the supply pressure effect.
- No filter in this unit.

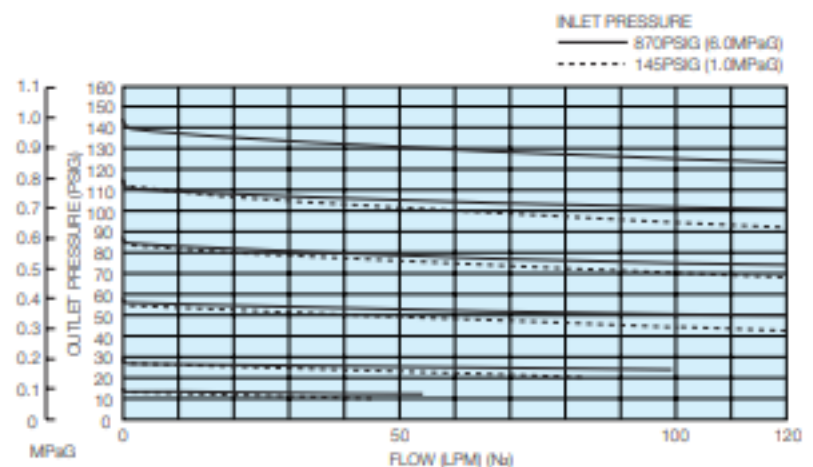
Tied Diaphragm (Optional)



[NOTE]

Operating the Tied Diaphragm Type: In order to minimize premature wear of regulator's internal parts. Be sure not to close regulator while under pressure.

Flow characteristics

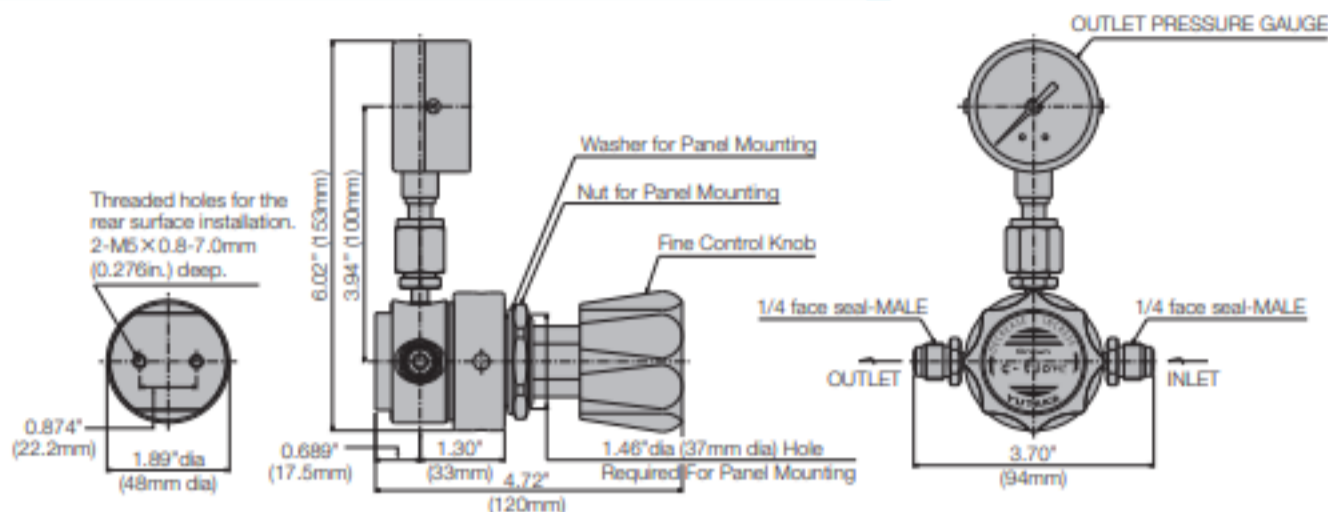


[NOTE]

· These tests were performed at ambient conditions.



Outline drawing



[NOTE]
 · Dimensions are in inches and (mm) for reference only.
 · Face to face length of the male and female are the same.
 · Subject to change without notice.

Materials of construction

MODEL & TYPE	L25SS	L25SH	L25SH-CL2	L25SS-N2O	L25SS-CO	L25SS-NH3
Wetted Parts						
Body	SUS316L					
Poppet & Seat Retainer	SUS316L	Hastelloy® C-22		SUS316L		
Diaphragm	Hastelloy® C-22			SUS316L	Hastelloy® C-22	
Seat	PCTFE		Special Fluoroplastics	Vespef®	PCTFE	Special Fluoroplastics
Spring	SUS316	Hastelloy® C-22		SUS316		
Gasket to seal for gauge	Ni			SUS316	Ni	
Non-wetted Parts						
Bonnet (A)	SUS316					
Bonnet (B)	Nickel Plated Brass					
Cap	SUS304					
Control Knob	ABS Resin					
O-ring	NBR					

Wetted surface finishes

Standard Ra (GRADE "B")	32µin. (0.80µm) or less
Optional Ra (GRADE "A")	7µin. (0.18µm) or less

Standard connections

1/4" face to face length of the male and female are the same. 3.70in. (94mm)
1/4" Tube stubs and other connections available as options.

[NOTE]
 · Any combination of Face Seal male and/or female fittings are available for inlet and outlet.
 · Size and configuration of pressure gauge port is 1/4" Face Seal male.

Ordering information

