

# L18 Series

RoHS Directive Products

## Miniature Pressure Regulator Standard Flow Rate Applications

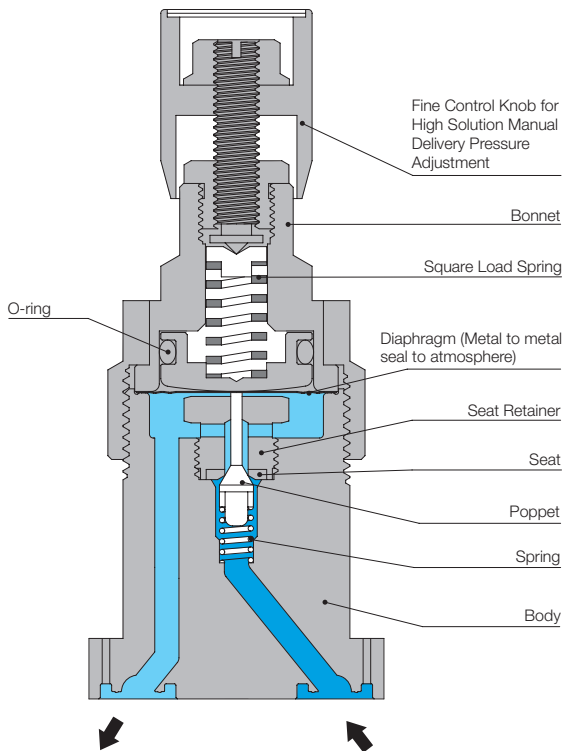
Inlet Pressure	Max.0.99 MPaG (Max.144 PSIG)
Outlet Pressure	Max.0.7 MPaG (Max.102 PSIG) (Pressure Range: 0~0.2 MPa, 0~0.4MPa, 0~0.6MPa, 0~0.7MPa)
Supply Pressure Effect	0.0007 MPaG (0.102 PSIG) per 0.05 MPaG (0.102 PSIG)
Proof Pressure	1.5 MPa (218 PSI)
Temperature	-10°C to +40°C
Outboard Leakage	$1 \times 10^{-11}$ Pa · m <sup>3</sup> /sec · He ( $1 \times 10^{-10}$ atm · cc/sec · He)
Approximate weight	IGS: 420 g (0 lbs. 15 oz.), Welding: 360 g (0 lbs. 13 oz.)
Installation	Threaded holes on the rear surface

[NOTE]

1MPa = 10.2 kgf/cm<sup>2</sup> = 145.04 PSI  
1MPa = 7504.36 mmHg = 295.4 inHg



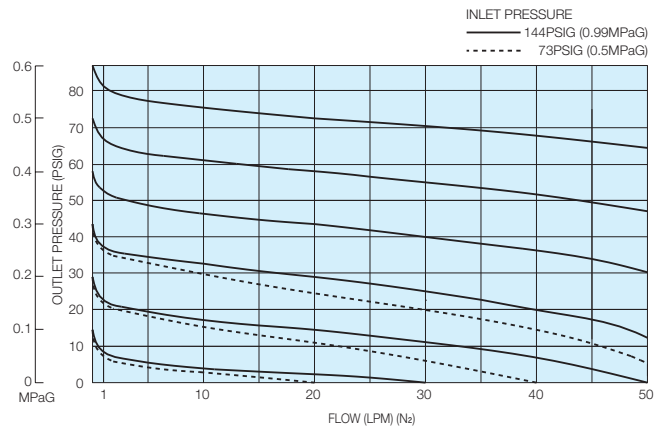
### Cross sectional drawing



[NOTE]

- Avoid turning the control knob excessively.
- No filter in this unit.

### Flow characteristics

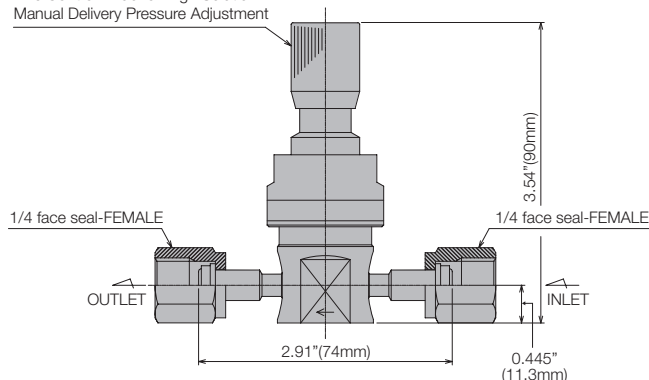


[NOTE]

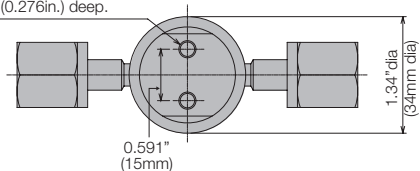
· These tests were performed at ambient conditions.

## Outline drawing

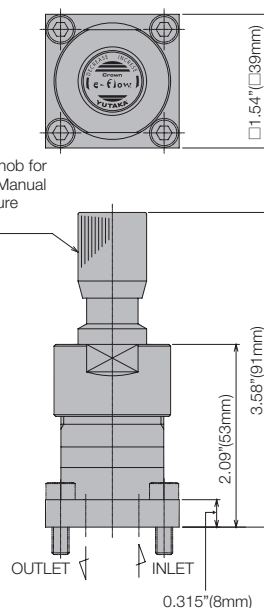
Fine Control Knob for High Solution Manual Delivery Pressure Adjustment



Threaded holes for the rear surface installation.  
2-M5X0.8-7.0mm (0.276in.) deep.



Fine Control Knob for High Solution Manual Delivery Pressure Adjustment



[NOTE]

- Dimensions are in inches and (mm) for reference only.
- Face to face length of the male and female are the same.
- Subject to change without notice.

## Materials of construction

MODEL & TYPE	L18SS	L18SH	L18SV	L18VH	L18SH-CL2
Wetted Parts					
Body	SUS316L		SUS316L V.I.M		SUS316L
Poppet	SUS316L	Hastelloy® C-22	SUS316L	Hastelloy® C-22	
Diaphragm	Hastelloy® C-22				
Seat	PCTFE			Fluoroplastics	
Gasket to seal for gauge	Ni				
Non-wetted Parts					
Bonnet	Chromium Plated Brass				
Control Knob	Chromium Plated Brass				
O-ring	NBR				

## Wetted surface finishes

Standard Ra  
(GRADE "S")

3.2µin. (0.08µm) or less

## Standard connections

**1/4" face to face length of the male and female are the same. .... 2.91in. (74mm)**

[NOTE]

- Any combination of Face Seal male and/or female fittings are available for inlet and outlet.
- Size and configuration of pressure gauge port is 1/4" Face Seal male.

## Ordering information

