

R36 Series

Medium Flow Rate Applications

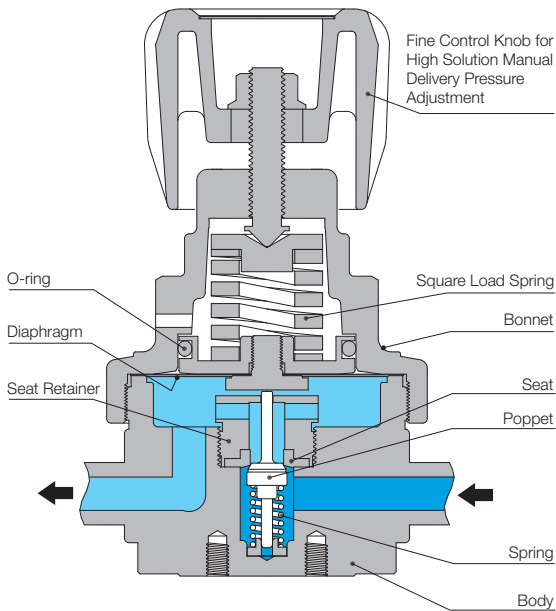
Inlet Pressure	Max.2 MPaG (Max.290 PSIG)
Outlet Pressure	Max.0.99 MPaG (Max.144 PSIG) (Pressure Range: 0~0.2 MPa, 0~0.4 MPa, 0~0.6 MPa, 0~0.99 MPa)
Supply Pressure Effect	0.0034 MPaG (0.49 PSIG) per 0.1 MPaG (14.5 PSIG)
Proof Pressure	9 MPa (1,305 PSI)
CV	0.62
Temperature	-10°C to +40°C
Outboard Leakage	Screw (P); $1 \times 10^{-9} \text{ Pa} \cdot \text{m}^3/\text{sec} \cdot \text{He}$ ($1 \times 10^{-8} \text{ atm} \cdot \text{cc}/\text{sec} \cdot \text{He}$) Welding (W); $1 \times 10^{-11} \text{ Pa} \cdot \text{m}^3/\text{sec} \cdot \text{He}$ ($1 \times 10^{-10} \text{ atm} \cdot \text{cc}/\text{sec} \cdot \text{He}$)
Approximate weight	1.7 kg (3 lbs. 12 oz.)
Installation	Threaded holes on the surface (OPTIONS: Surface panel mounting)



[NOTE]

1MPa = 10.2 kgf/cm² = 145.04 PSI
1MPa = 7504.36 mmHg = 295.4 inHg

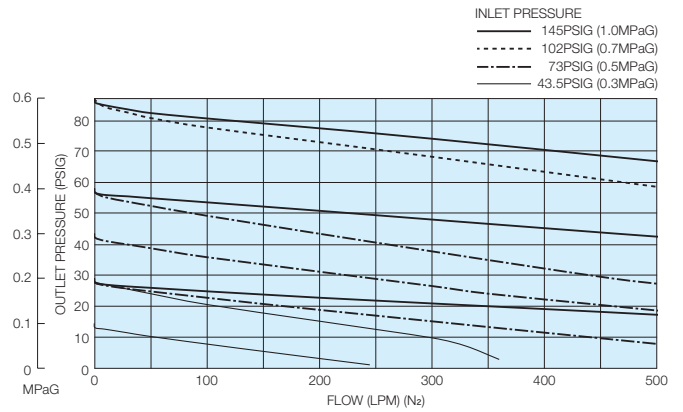
Cross sectional drawing



[NOTE]

- Avoid turning the control knob excessively.
- No filter in this unit.

Flow characteristics



[NOTE]

· These tests were performed at ambient conditions.

