

L35 Series

RoHS Directive Products

Medium Flow Rate Applications

| | |
|------------------------|---|
| Inlet Pressure | Max.6 MPaG (Max.870 PSIG) |
| Outlet Pressure | Max.0.9 MPaG (Max.130.5 PSIG) (Pressure Range: 0~0.2 MPa, 0~0.4 MPa, 0~0.6 MPa, 0~0.9 MPa) |
| Supply Pressure Effect | 0.0007 MPaG (0.10 PSIG) per 0.1 MPaG (14.5 PSIG) |
| Proof Pressure | 9 MPa (1,305 PSI) |
| CV | 0.21 |
| Temperature | -10°C to +40°C |
| Outboard Leakage | 1×10^{-11} Pa·m ³ /sec·He (1×10^{-10} atm·cc/sec·He) |
| Internal Volume | 11.3 cc (0.68 in ³) w/o fittings |
| Approximate weight | 1.95 kg (4 lbs. 5 oz.) |
| Installation | Threaded holes on the rear surface or Panel mounting |

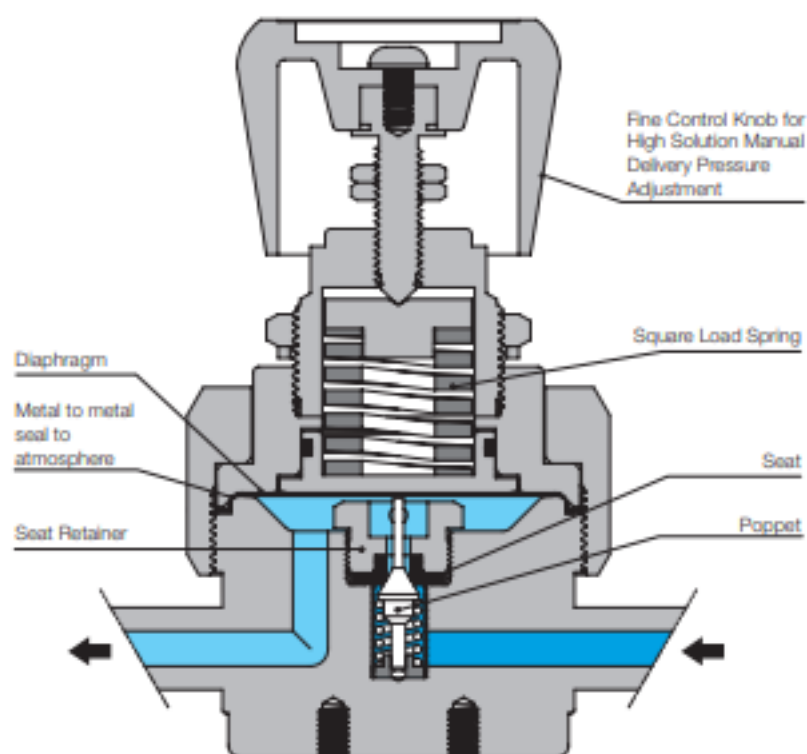
[NOTE]

1MPa = 10.2 kgf/cm² = 145.04 PSI

1MPa = 7504.36 mmHg = 295.4 inHg



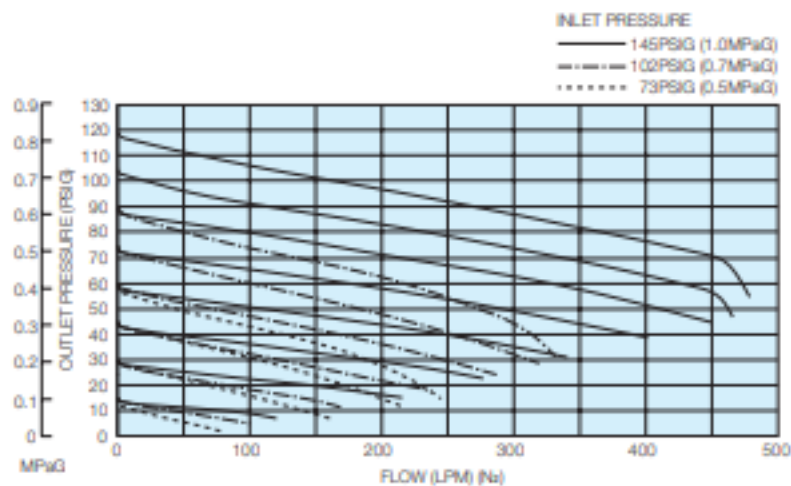
Cross sectional drawing



[NOTE]

- Avoid turning the control knob excessively.
- No filter in this unit.

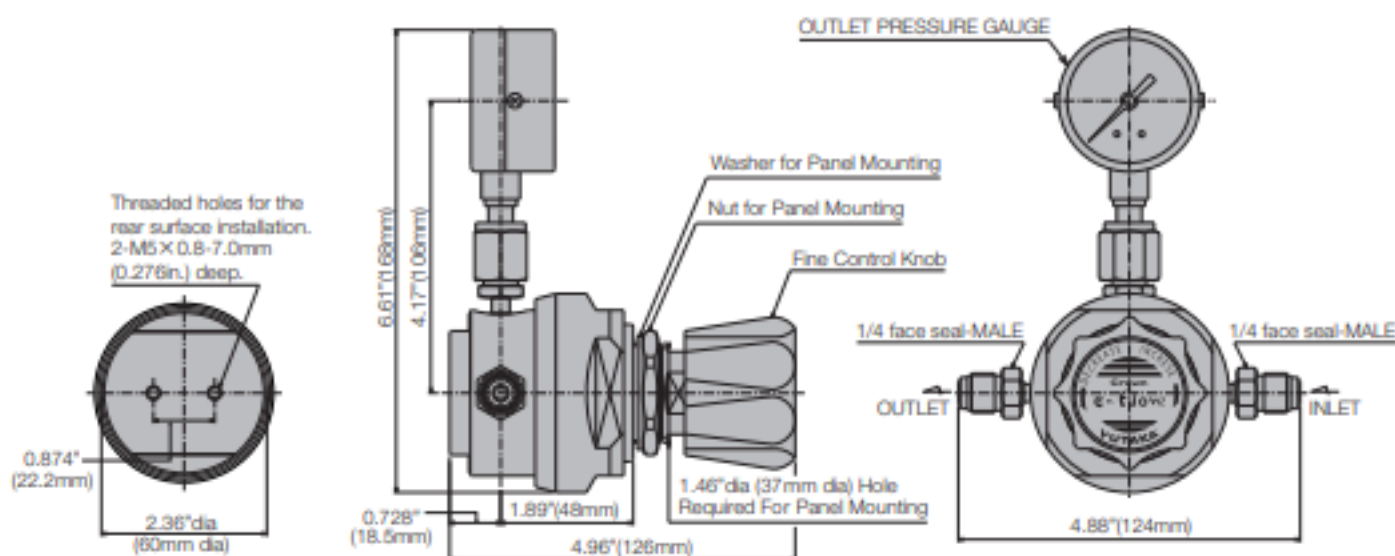
Flow characteristics



[NOTE]

- These tests were performed at ambient conditions.

Outline drawing



[NOTE]

- Dimensions are in inches and (mm) for reference only.
- Face to face length of the male and female are the same.
- Subject to change without notice.

Materials of construction

| MODEL & TYPE | L35SS | L35SH | L35SH-CL2 | L35SS-N2O | L35SS-CO | L35SS-NH3 |
|--------------------------|-----------------|------------------------|-----------|-----------|------------------------|-----------|
| Wetted Parts | | | | | | |
| Body | SUS316L | | | | | |
| Poppet & Seat Retainer | SUS316L | Hastelloy® C-22 | | SUS316L | | |
| Diaphragm | Hastelloy® C-22 | | | SUS316L | Hastelloy® C-22 | |
| Seat | PCTFE | Special Fluoroplastics | VespeI® | PCTFE | Special Fluoroplastics | |
| Spring | SUS316 | | | | | |
| Gasket to seal for gauge | Ni | | SUS316 | | Ni | |
| Non-wetted Parts | | | | | | |
| Bonnet | SUS304 | | | | | |
| Control Knob | ABS Resin | | | | | |
| O-ring | NBR | | | | | |

Wetted surface finishes

| | |
|-------------------------|-------------------------|
| Standard Ra (GRADE "B") | 32µin. (0.80µm) or less |
| Optional Ra (GRADE "A") | 7µin. (0.18µm) or less |

Standard connections

1/4" face to face length of the male and female are the same. 4.88in. (124mm)

1/4" Tube stubs and other connections available as options.

3/8", 1/2" face to face length of the male and female are the same. 5.2in. (132mm)

[NOTE]

- Any combination of Face Seal male and/or female fittings are available for inlet and outlet.
- Size and configuration of pressure gauge port is 1/4" Face Seal male.

Ordering information

