

L26 Series

RoHS Directive Products

Point-of-Use Pressure Regulator

Inlet Pressure	Max.6 MPaG (Max.870 PSIG)
Outlet Pressure	Max.0.99 MPaG (Max.140 PSIG) (Pressure Range: 0~0.2 MPa, 0~0.4 MPa, 0~0.6 MPa, 0~0.99 MPa)
Supply Pressure Effect	0.001 MPaG (0.145 PSIG) per 0.1 MPaG (14.5 PSIG)
Proof Pressure	22.2 MPa (Inlet side)
CV	0.21
Temperature	-10°C to +40°C
Outboard Leakage	1×10^{-11} Pa·m ³ /sec·He (1×10^{-10} atm·cc/sec·He)
Internal Volume	4.75 cc (0.29 in ³) w/o fittings
Approximate weight	1.0 kg (2 lbs. 3 oz.)
Installation	Threaded holes on the rear surface or Panel mounting

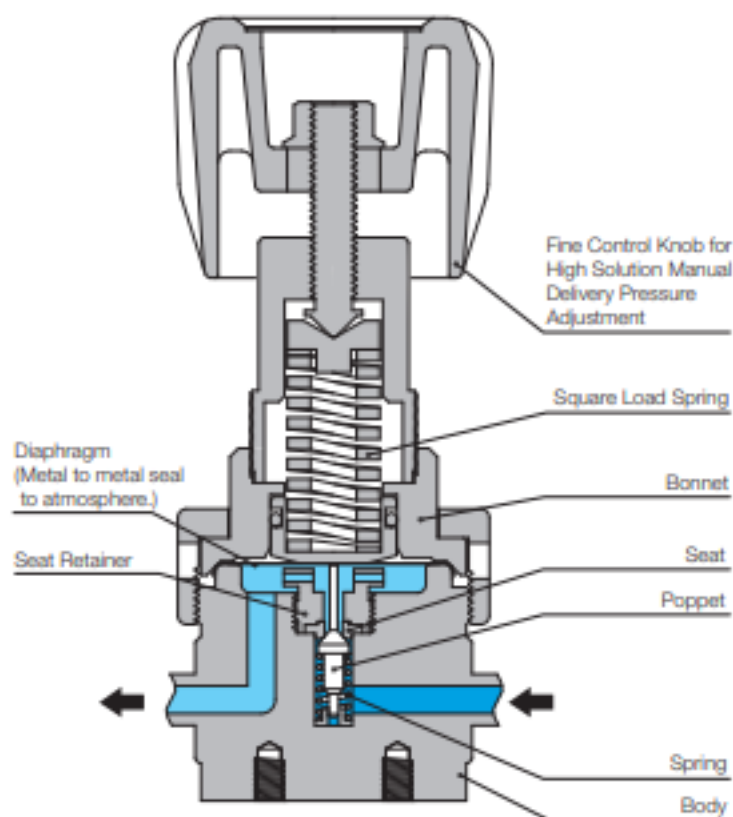
[NOTE]

1MPa = 10.2 kgf/cm² = 145.04 PSI

1MPa = 7504.36 mmHg = 295.4 inHg



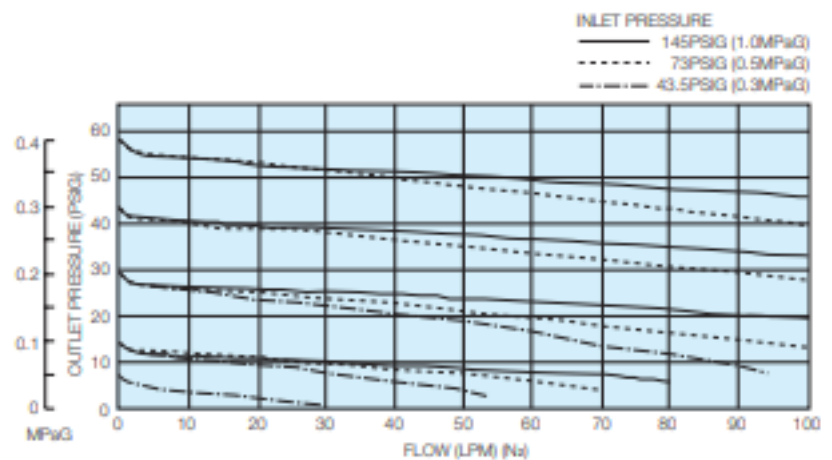
Cross sectional drawing



[NOTE]

- Avoid turning the control knob excessively.
- No filter in this unit.

Flow characteristics



[NOTE]

- These tests were performed at ambient conditions.

